

NMP-K SERIES Non-Magnetic Trimmer Capacitors

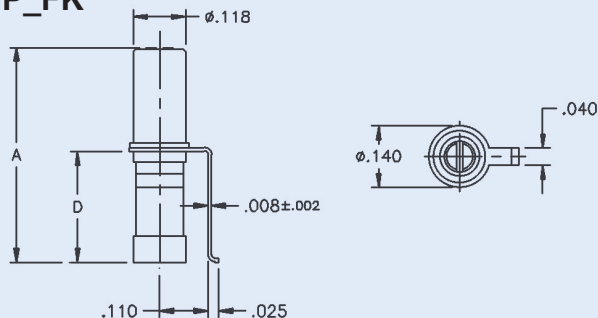
CRYOGENIC TUNABLE TRIMMER CAPACITORS AT 4°K AND ABOVE

GENERAL SPECIFICATIONS

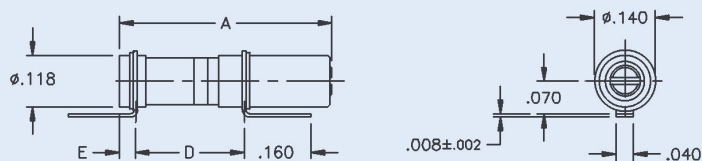
Part Number	NMP3_K	NMP5_K	NMP8_K	NMP12_K
Capacitance	0.6 to 2.5pF	0.6 to 4.5pF	0.8 to 8PF	1.0 to 12pF
DC Working Voltage	500	500	500	500
DC Withstanding Voltage	1000	1000	1000	1000
Q at 250MHz at maximum rated C	4000	3000	1500	1250
Capacitance Drift	Less than 2% at 77°K			
Insulation Resistance	10 ⁶ megohms at 25° C			
Operating Temperature	4°K and above			
Rotational Life	10,000 turns		600 turns approx.	
Torque	0.5-3.0 in-oz			
Tunable	4°K and above			
Drawing tolerances where not specified	xxx +/- .005 xx +/- .016			

LEAD CONFIGURATION

NMP_FK

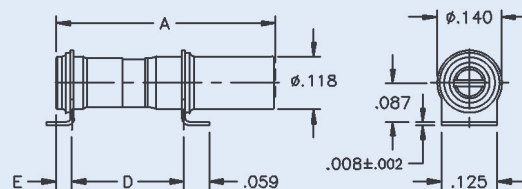


NMP3_JK, NMP5_JK, & NMP8_JK



TYPE	A (max)	D +/- 0.010	E +/- 0.010
NMP3FK	0.240	0.090	
NMP5FK	0.329	0.160	
NMP8FK	0.495	0.250	
NMP12FK	0.495	0.250	

NMP12_JK



NMP3JK	0.240	0.083	0.014
NMP5JK	0.329	0.130	0.034
NMP8JK	0.495	0.250	0.036
NMP12JK	0.495	0.250	0.036

Extended Shaft Option:

Extended metal shaft: Add "E" to part number, (ex: NMP12_FKE)

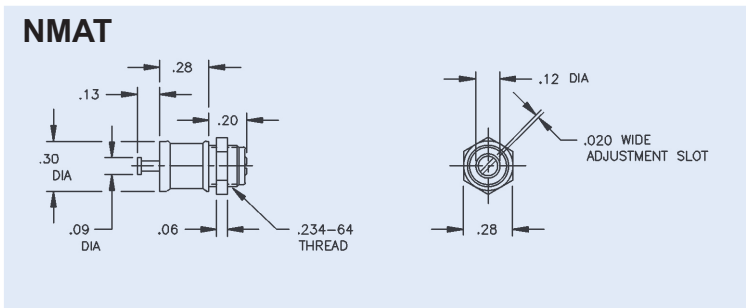
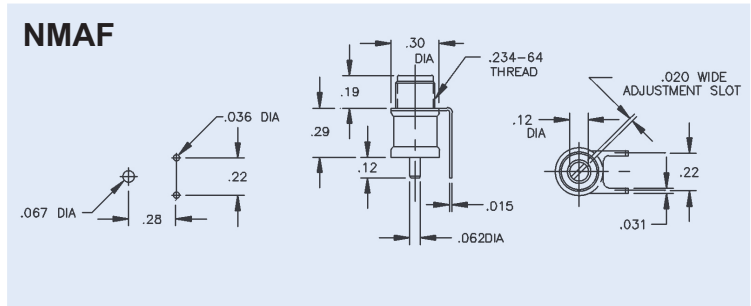
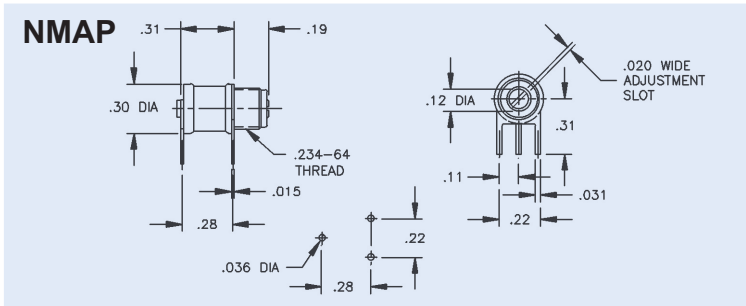
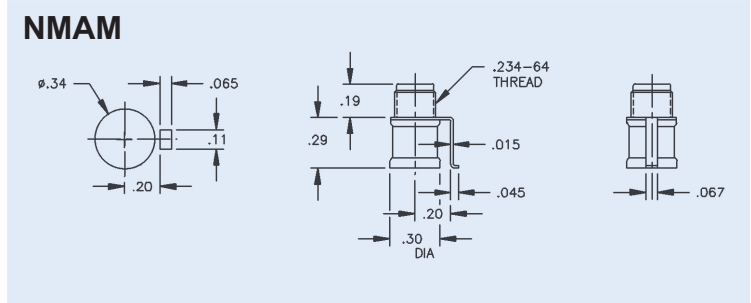
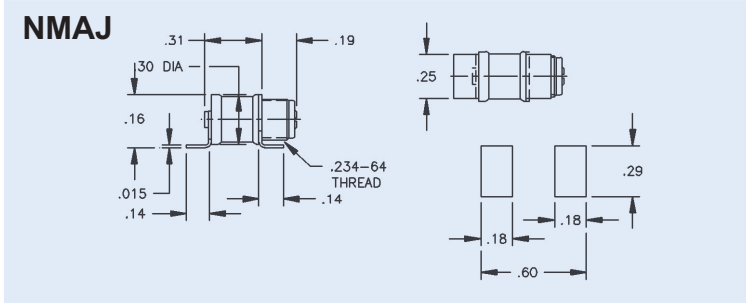
NMA-K SERIES Non-Magnetic Trimmer Capacitors

CRYOGENIC TUNABLE TRIMMER CAPACITORS AT 4°K AND ABOVE

GENERAL SPECIFICATIONS

Part Number	NMA_5K	NMA_10K	NMA_14K
Capacitance	1.0 to 5pF	1.0 to 10pF	1.0 to 14pF
DC Working Voltage	250	250	125
DC Withstanding Voltage	500	500	250
Q at 25MHz at maximum rated C	5000	5000	3000
Capacitance Drift	Less than 2% at 77°K		
Insulation Resistance	10 ⁶ megohms at 25°C		
Operating Temperature	4°K and above		
Rotational Life	10,000 turns		
Torque	0.5-3.0 in-oz		
Tunable	4°K and above		
Drawing tolerances where not specified	xxx +/- .005 xx +/- .016		

LEAD CONFIGURATION



Extended Shaft Option:
Extended metal shaft: Add "E" to part number, (ex: NMAJ10KE)